


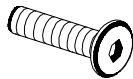
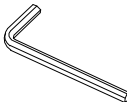


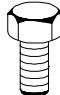
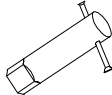
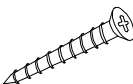

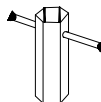
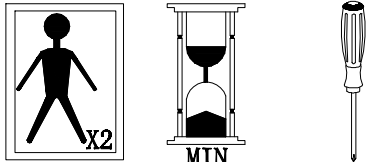
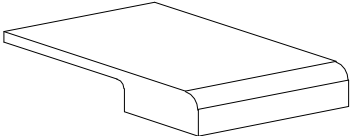
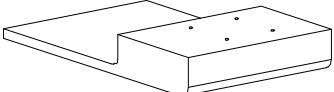

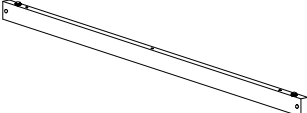
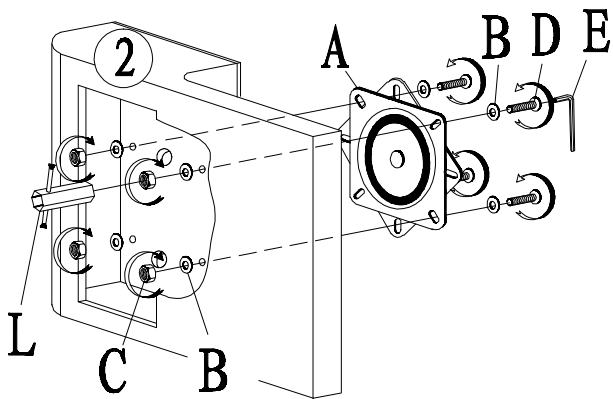
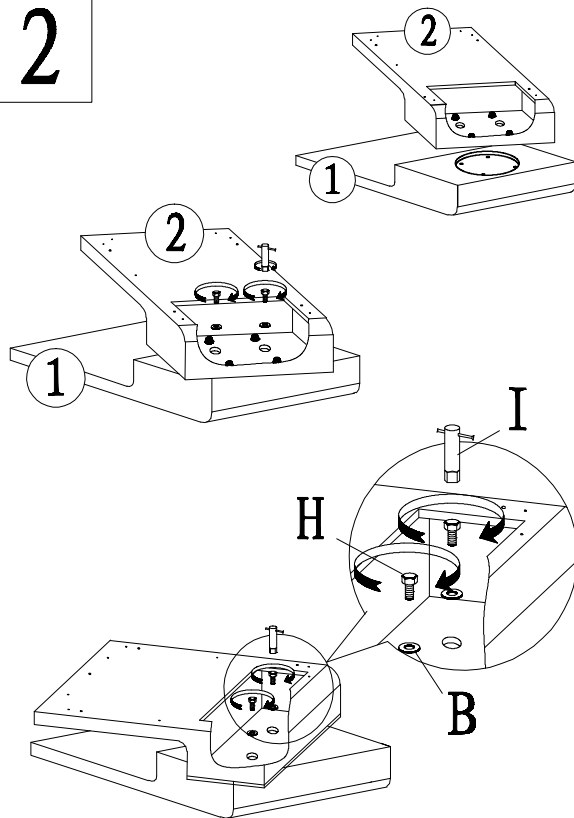
 <p style="text-align: right;">16-062</p>	A. (M245x245)x1	B. (M8x18)x12	C. (M8x6)x4
			
	D. (M8x40)x4	E. (M5x)x1	F. (M6.2x40)x4
			
	G. (M15x11)x4	H. (M8x16)x4	I. (M12x)x1
			
	J. (M4x40)x10	K. (M8x30)x6	L. (M14x50)x1
			
			

 <p style="text-align: center;">① x 1</p>	 <p style="text-align: center;">② x 1</p>	 <p style="text-align: center;">③ x 2</p>
 <p style="text-align: center;">④ x 2</p>		
		<p>16-062</p> <p>1/2</p>

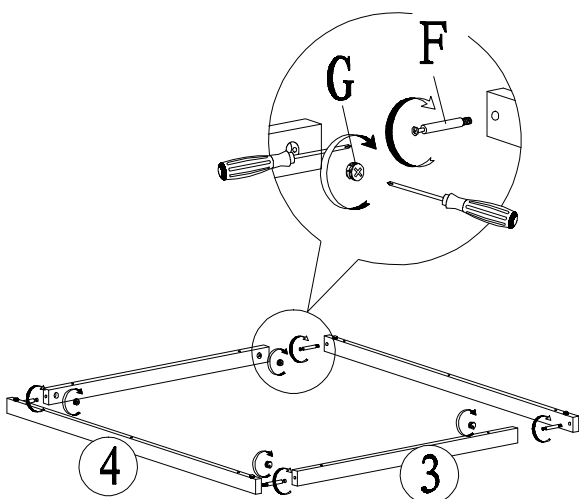
1



2



3



4

